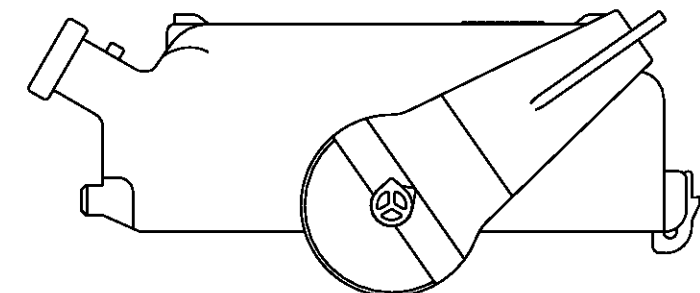
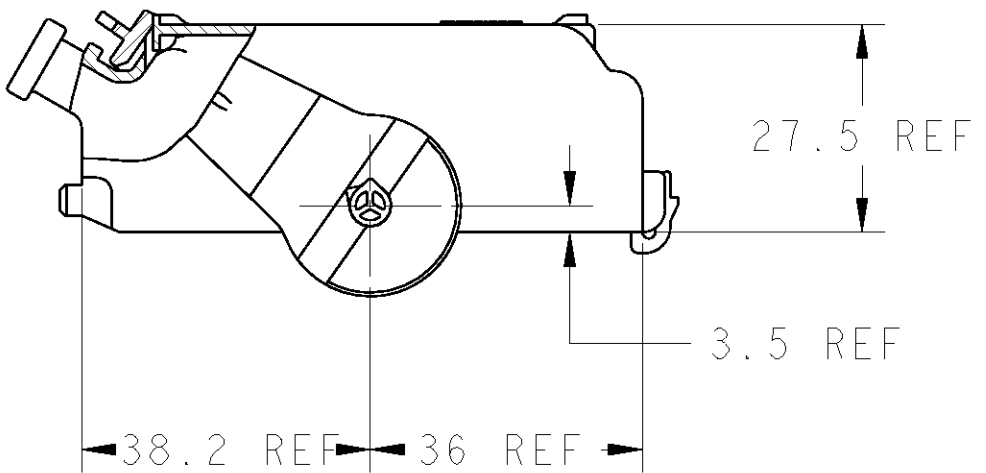
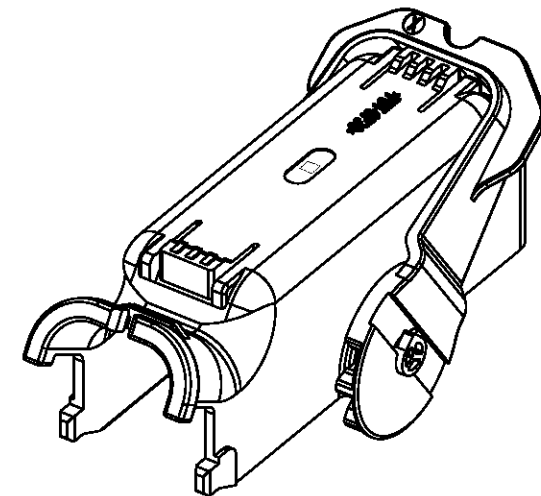
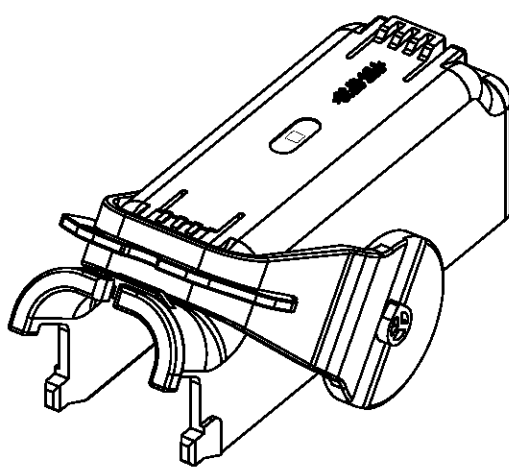
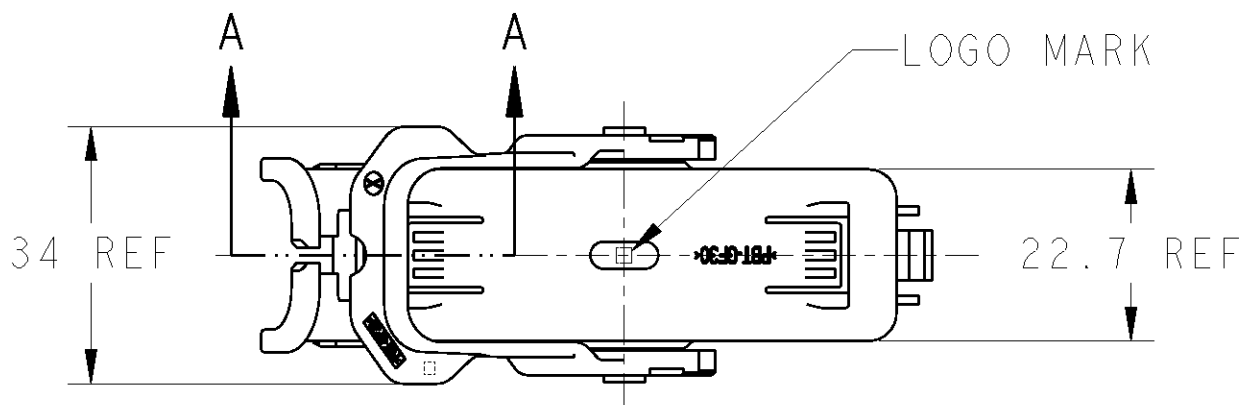


THIS DRAWING IS UNPUBLISHED. RELEASED FOR PUBLICATION 2002
 © COPYRIGHT 2002 BY TYCO ELECTRONICS CORPORATION. ALL RIGHTS RESERVED.

LOC	DIST	REVISIONS			
P	LTR	DESCRIPTION	DATE	DWN	APVD
J	-	0	RELEASED	FJ00-2243-02	10OCT02 (T.S.) K.O
		01	ADDED -2	FJA0-0760-04	16NOV04 TS KB
		A	REVISED	ECR-08-021417	26AUG08 TS KB
		B	REVISED	ECR-10-007503	11MAY10 TS KB



1612684-1
COVER WITH LEVER ON THE WIRES OUTPUT SIDE

1612684-2
COVER WITH LEVER OPPOSED TO WIRES OUTPUT SIDE

IT IS THE SAME AS 1612684-1 EXCEPT THE DIRECTION OF A LEVER

ORANGE	LEVER
BLACK	COVER
COLOR	PARTS

<small>THIS DRAWING IS A CONTROLLED DOCUMENT FOR TYCO ELECTRONICS CORPORATION. IT IS SUBJECT TO CHANGE AND THE CONTROLLING ENGINEERING ORGANIZATION SHOULD BE CONTACTED FOR THE LATEST REVISION.</small>		DWN 10OCT02 (T. SHIMOKAWA)		Tyco Electronics Corporation Kawasaki, Japan	
DIMENSIONS: mm		TOLERANCES UNLESS OTHERWISE SPECIFIED:		NAME 060/187 PLUG ASSY 26Pos. LEVER ASSY	
		0 PLC ±0.5 1 PLC ±0.13 2 PLC ±0.13 3 PLC ±0.013 4 PLC ±0.000J ANGLES ±1.00°		PRODUCT SPEC 108-5523	
MATERIAL -		FINISH SEE TABLE		APPLICATION SPEC 114-5126, 114-5216	
		WEIGHT 18.7 g		SIZE A3 CAGE CODE 00779 DRAWING NO C=1612684	
		CUSTOMER DRAWING		RESTRICTED TO -	
		SCALE		SHEET OF REV B	